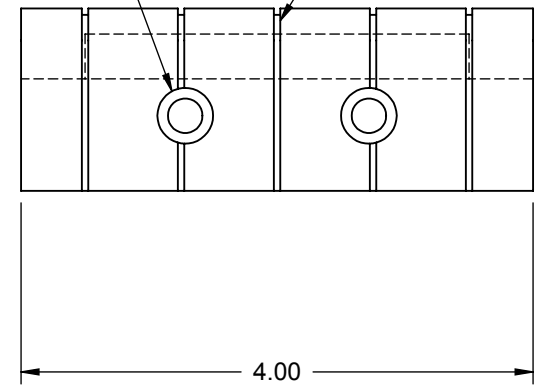


Holes are for fasteners

Grooves are just for added detail/looks



REAR COVER, 30MM, CANNON ASSY